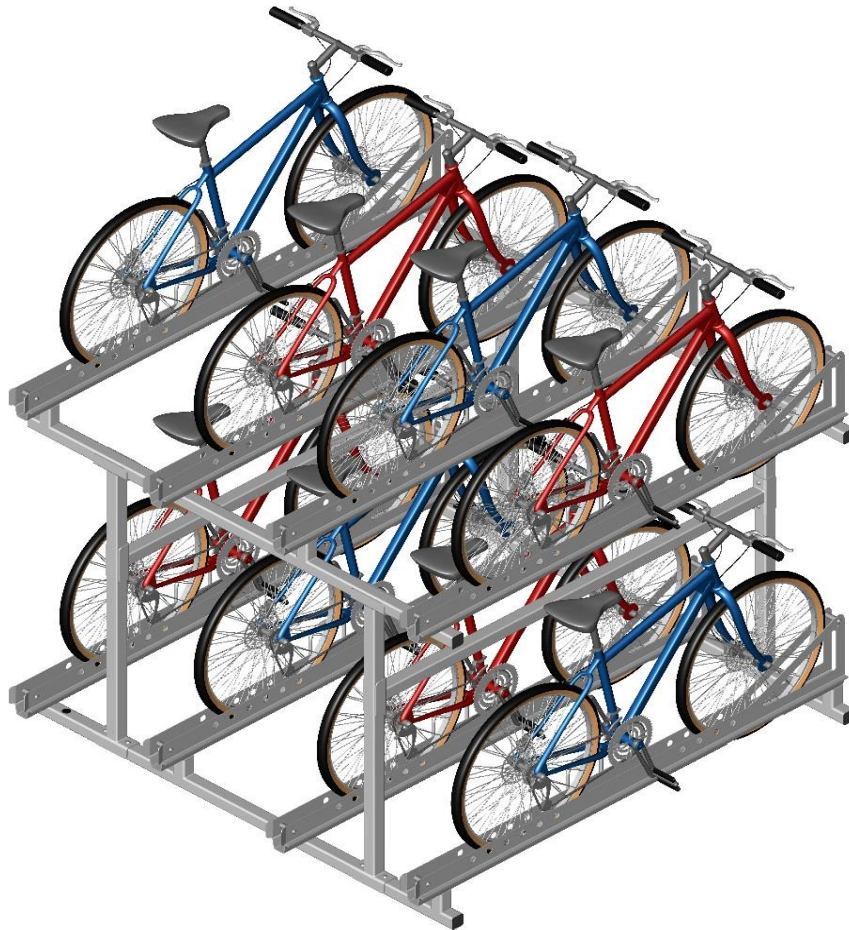


CycleSafe, Inc.

**OCTO-RACK High-Capacity Bicycle Parking
INSTALLATION & ASSEMBLY INSTRUCTIONS**



www.cyclesafe.com

info@cyclesafe.com

PH: 616.954.9977

TF: 888.950.6531

TABLE OF CONTENTS



Description	Page
Introduction	3
Tools Required	3
Parts List	4
Configuration Layout	5
Front Frame Assembly	6
Rear Frame Assembly	7
Main Frame Assembly	8
Wheel Guide Assemblies	9
Rack Assembly	10

Comments in **BLACK** are
Instructions

Comments in **BLUE** are helpful
suggestions

Comments in **RED** are warnings

**ALWAYS OBSERVE POSTED SAFETY GUIDELINES
WHEN ASSEMBLING THIS PRODUCT. ALWAYS WEAR SAFETY GLASSES**

INTRODUCTION



This Installation & Assembly Instruction will detail the tools required, fasteners and components furnished, and assembly steps to successfully install the CycleSafe Octo Rack High Density Bicycle Parking System.

PLEASE READ THE INSTRUCTIONS COMPLETELY BEFORE BEGINNING.

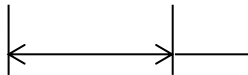
Identify & inventory all parts using the packing list furnished with the shipment and the parts list in this Installation Instruction. Any damage to the product must be immediately reported to the shipping company. Be sure to keep the hardware bags & contents

TOOLS REQUIRED

- Power Drill Motor w/ Clutch
- Carpenter's Square
- Carpenter's Level
- Hex Drive Bit Set
- 3/8" Ratchet & 12" Extension
- 3/8" Drive Deep Well Sockets
- 3/8" Drive T45 Torx Driver

FASTENERS USED Supplied by CycleSafe

-  3/8-16NC Button Head Torx Screw x 1" Lg.
-  1" Dia. Black Hole Plug
-  3/8" Wide Flat Washer
-  3/8-16 x 1-1/4 Torx PHCS
-  3/8-16 Lag Housing
-  T45 Torx Driver



DIM
[Inches]

Reference dimensions in this manual are shown in both Standard Inch and [Metric].

CARPENTRY OR ASSEMBLY SKILLS ARE STRONGLY SUGGESTED

You will need skills at using powered hand tools, climbing ladders, and squaring the assembled components. The recommended time budget for each Octo Rack is 1 to 2 man-hours. **NOTE:** The heaviest part is 70lbs (31.8kg).

If you have difficulties or require further installation discussion, please contact our **Customer Service Experts**
CALL - 616.954.9977
TOLL FREE - 888.950.6531

Digital Copies of this Installation & Assembly Instruction may be found on our website:
WWW.CYCLESAFE.COM

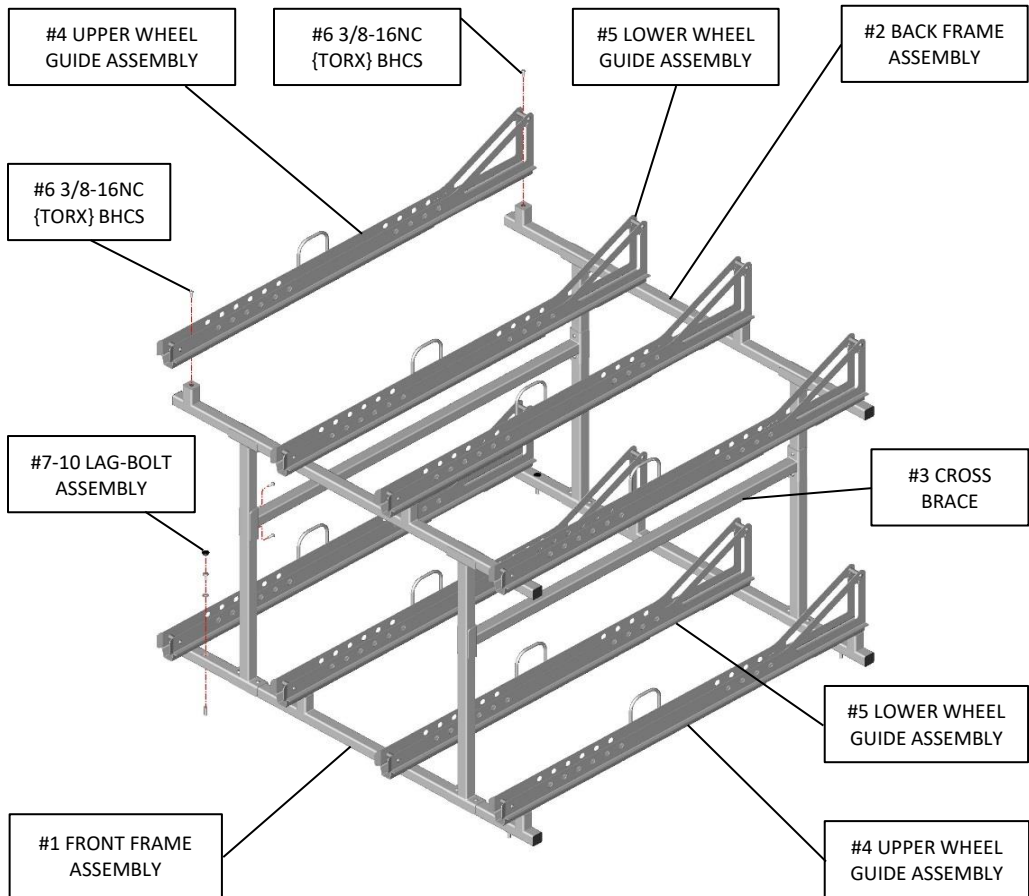
**ALWAYS OBSERVE POSTED SAFETY GUIDELINES
WHEN ASSEMBLING THIS PRODUCT. ALWAYS WEAR SAFETY GLASSES**

PARTS LIST

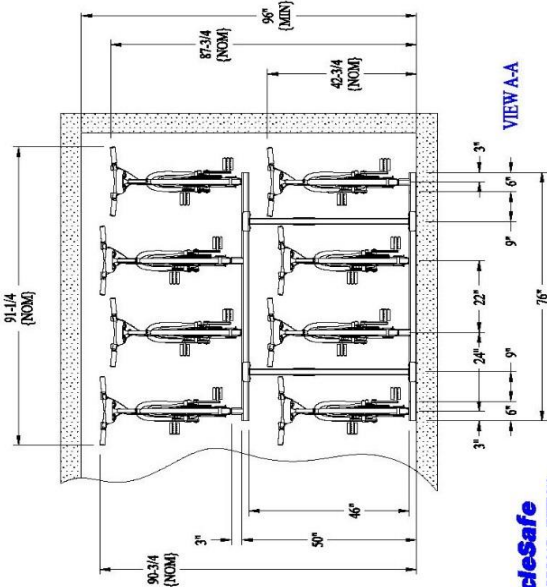
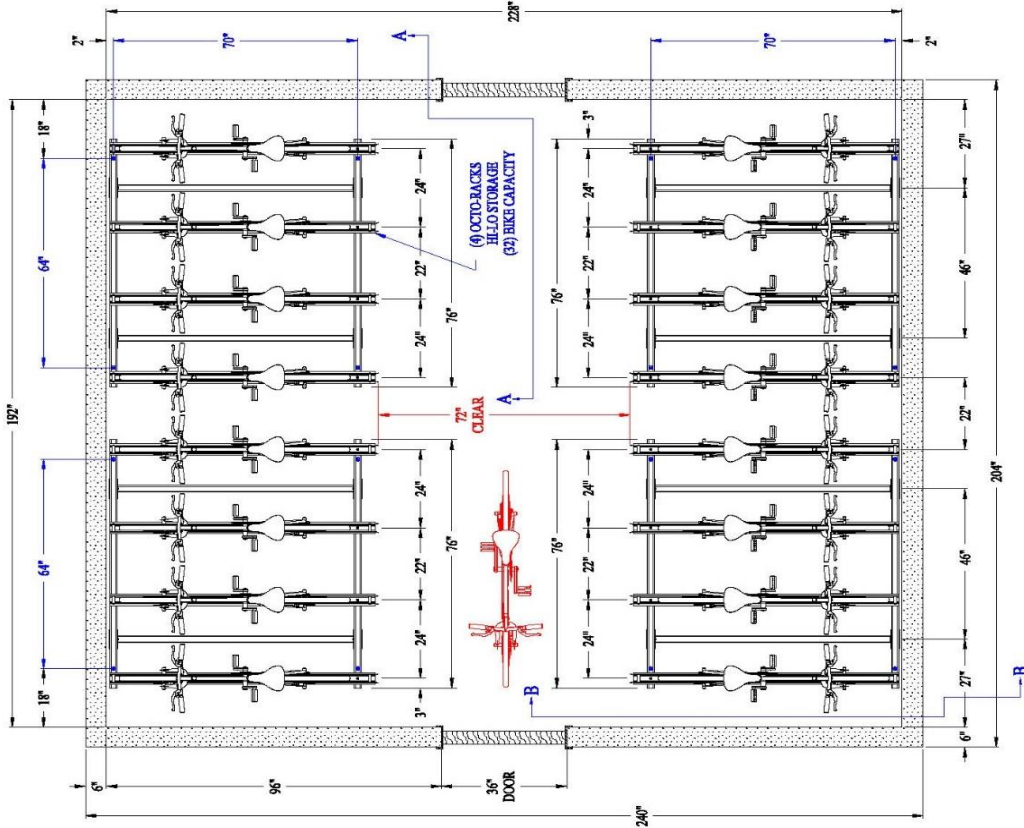


This Installation & Assembly Instruction will detail the tools required, fasteners and components furnished, and assembly steps to successfully install the CycleSafe Octo Rack High Density Bicycle Parking System.

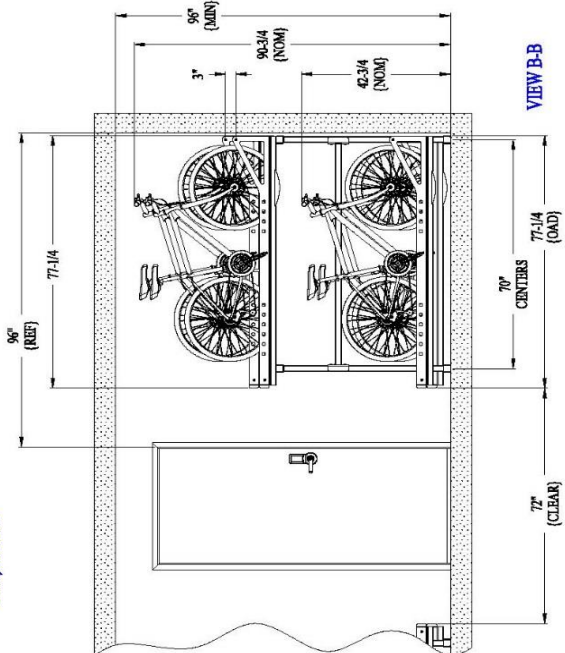
Item	Qty	Description	Part Number
1	1	FRONT SUB-FRAME ASSEMBLY	18301
2	1	BACK SUB-FRAME ASSMBLY	18302
3	2	CROSS BRACE WELDMENT	18303
4	4	UPPER WHEEL GUIDE ASSEMBLY	18304
5	4	LOWER WHEEL GUIDE ASSEMBLY	18305
6	24	3/8-16NC Xx 1" LG. TORX BHCS	12724
7	4	3/8-16NC LAG HOUSING	17015
8	4	3/8" WIDE FLAT EASHER	17016
9	4	3/8-16NC x 1-1/4" LG. TORX BHCS	17590
10	4	1" DIA. BLACK HOLE PLUG	18314



**ALWAYS OBSERVE POSTED SAFETY GUIDELINES
WHEN ASSEMBLING THIS PRODUCT. ALWAYS WEAR SAFETY GLASSES**



CycleSafe
5211 CASCADE ROAD - SUITE 210
GRAND RAPIDS, MI 49546
www.cycle-safe.com



**ALWAYS OBSERVE POSTED SAFETY GUIDELINES
WHEN ASSEMBLING THIS PRODUCT. ALWAYS WEAR SAFETY GLASSES**

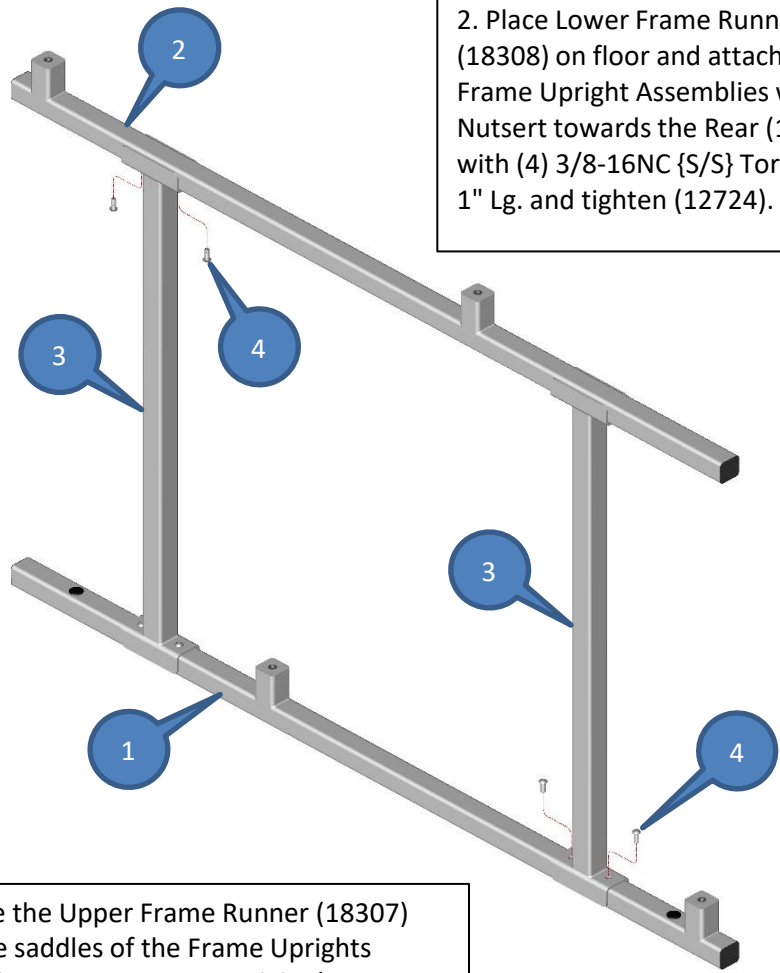
FRONT FRAME ASSEMBLY



Item	Qty	Description	Part Number
1	1	LOWER FRAME RUNNER ASSEMBLY	18308
2	1	UPPER FRAME RUNNER ASSEMBLY	18307
3	2	FRAME UPRIGHT ASSEMBLY	18309
4	8	3/8-16NC x 1" LG. {TORX} S/S BHCS	12724

1. Remove these components from the skid and setup in-place.

2. Place Lower Frame Runner Assy. (18308) on floor and attached (2) Frame Upright Assemblies with Nutsert towards the Rear (18309) with (4) 3/8-16NC {S/S} Torx BHCS x 1" Lg. and tighten (12724).



3. Place the Upper Frame Runner (18307) into the saddles of the Frame Uprights (18309) as shown and insert (4) 3/8-16NC {S/S} Torx BHCS x 1' Lg. (12724) and square up Front Frame Assembly (18301) and then tighten as above.

**ALWAYS OBSERVE POSTED SAFETY GUIDELINES
WHEN ASSEMBLING THIS PRODUCT. ALWAYS WEAR SAFETY GLASSES**

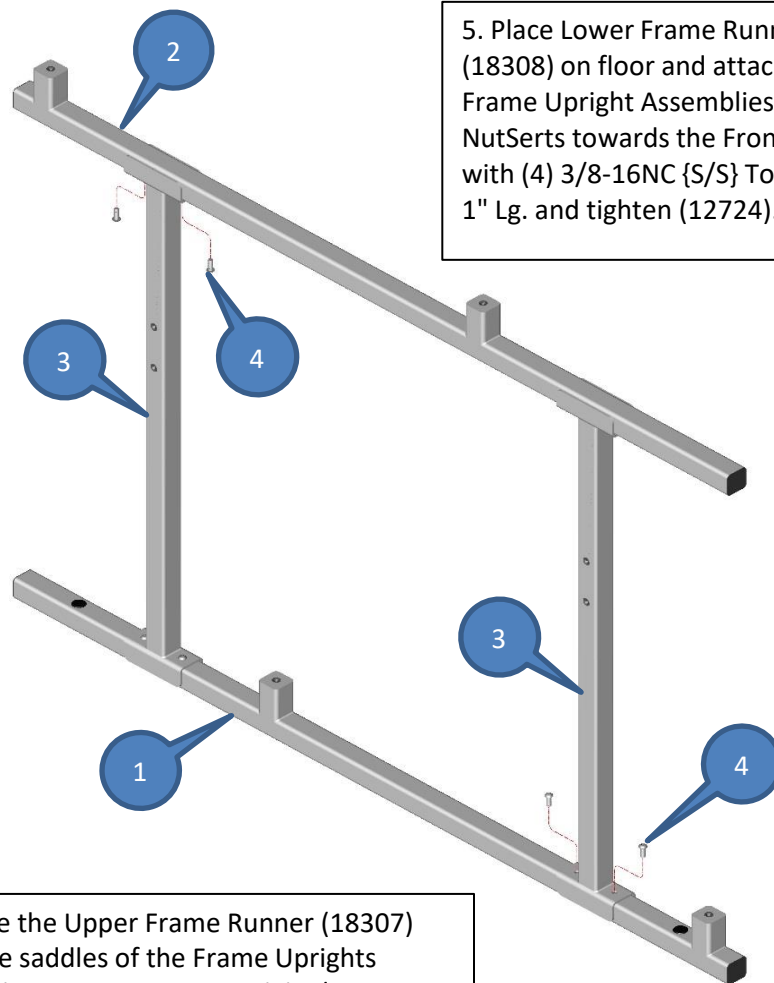
REAR FRAME ASSEMBLY



Item	Qty	Description	Part Number
1	1	LOWER FRAME RUNNER ASSEMBLY	18308
2	1	UPPER FRAME RUNNER ASSEMBLY	18307
3	2	FRAME UPRIGHT ASSEMBLY	18309
4	8	3/8-16NC x 1" LG. {TORX} S/S BHCS	12724

4. Remove these components from the skid and setup in-place.

5. Place Lower Frame Runner Assy. (18308) on floor and attached (2) Frame Upright Assemblies with NutSerts towards the Front (18309) with (4) 3/8-16NC {S/S} Torx BHCS x 1" Lg. and tighten (12724).



6. Place the Upper Frame Runner (18307) into the saddles of the Frame Uprights (18309) as shown and insert (4) 3/8-16NC {S/S} Torx BHCS x 1' Lg. (17274) and square up Back Frame Assembly (18302) and then tighten as above.

**ALWAYS OBSERVE POSTED SAFETY GUIDELINES
WHEN ASSEMBLING THIS PRODUCT. ALWAYS WEAR SAFETY GLASSES**

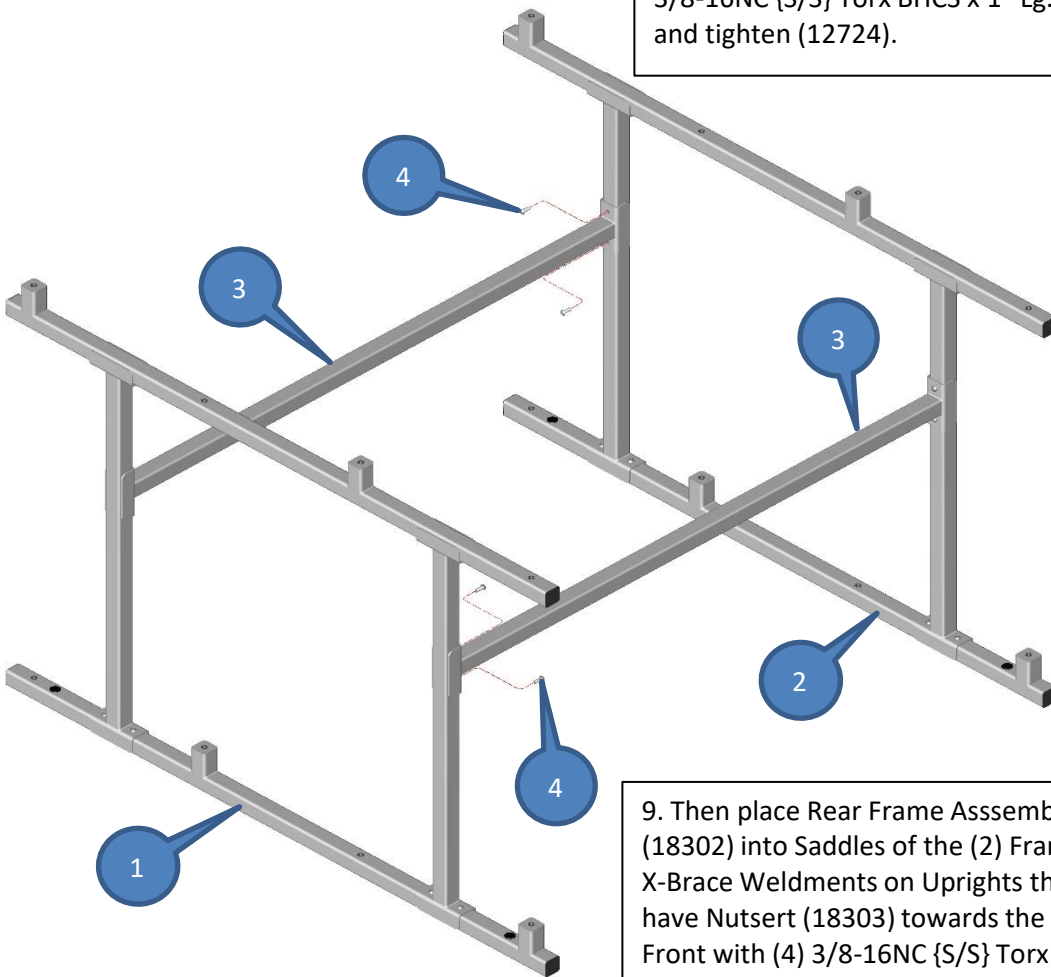
MAIN FRAME ASSEMBLY



Item	Qty	Description	Part Number
1	1	FRONT SUB-FRAME ASSEMBLY	18301
2	1	BACK SUB-FRAME ASSEMBLY	18302
3	2	FRAME X-BRACE WELDMENT	18303
4	8	3/8-16NC x 1" LG. {TORX} S/S BHCS	12724

7. Remove these components from the skid and setup in-place.

8. Place Front Frame Assembly (18301) on floor as shown and attach (2) Frame X-Brace Weldments on Uprights that have Nutsert towards the Rear (18303) with (4) 3/8-16NC {S/S} Torx BHCS x 1" Lg. and tighten (12724).



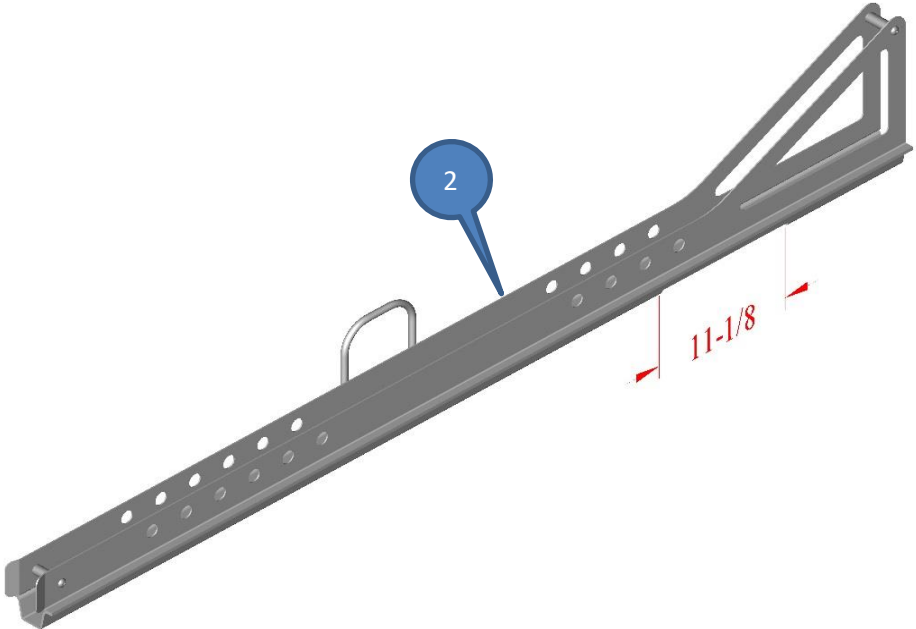
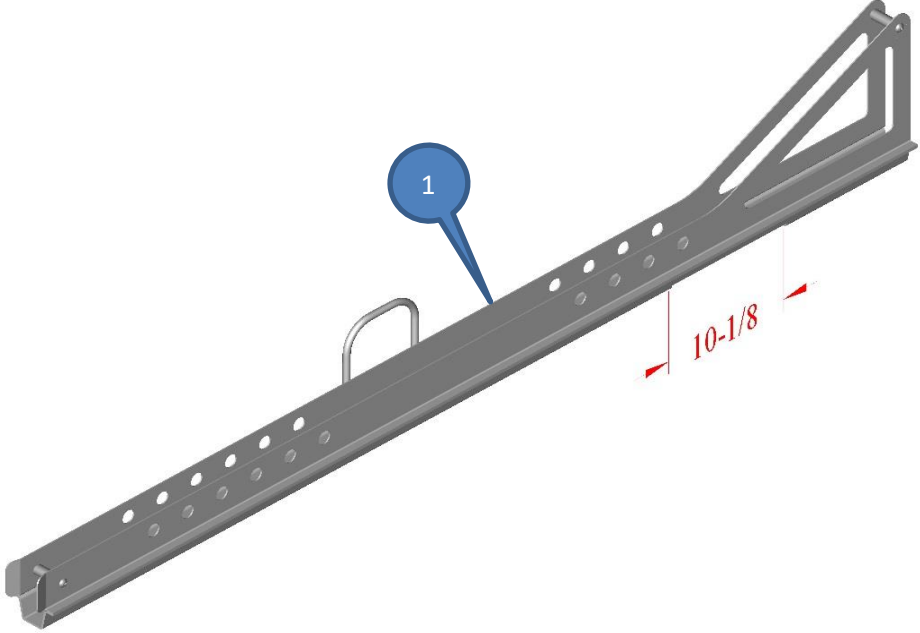
9. Then place Rear Frame Assembly (18302) into Saddles of the (2) Frame X-Brace Weldments on Uprights that have Nutsert (18303) towards the Front with (4) 3/8-16NC {S/S} Torx BHCS x 1" Lg. (12724) square up and tighten Bolts.

**ALWAYS OBSERVE POSTED SAFETY GUIDELINES
WHEN ASSEMBLING THIS PRODUCT. ALWAYS WEAR SAFETY GLASSES**

GUIDE RAILS



Item	Qty	Description	Part Number
1	1	UPPER WHEEL GUIDE ASSEMBLY	18304
2	1	LOWER WHEEL GUIDE ASSEMBLY	18305



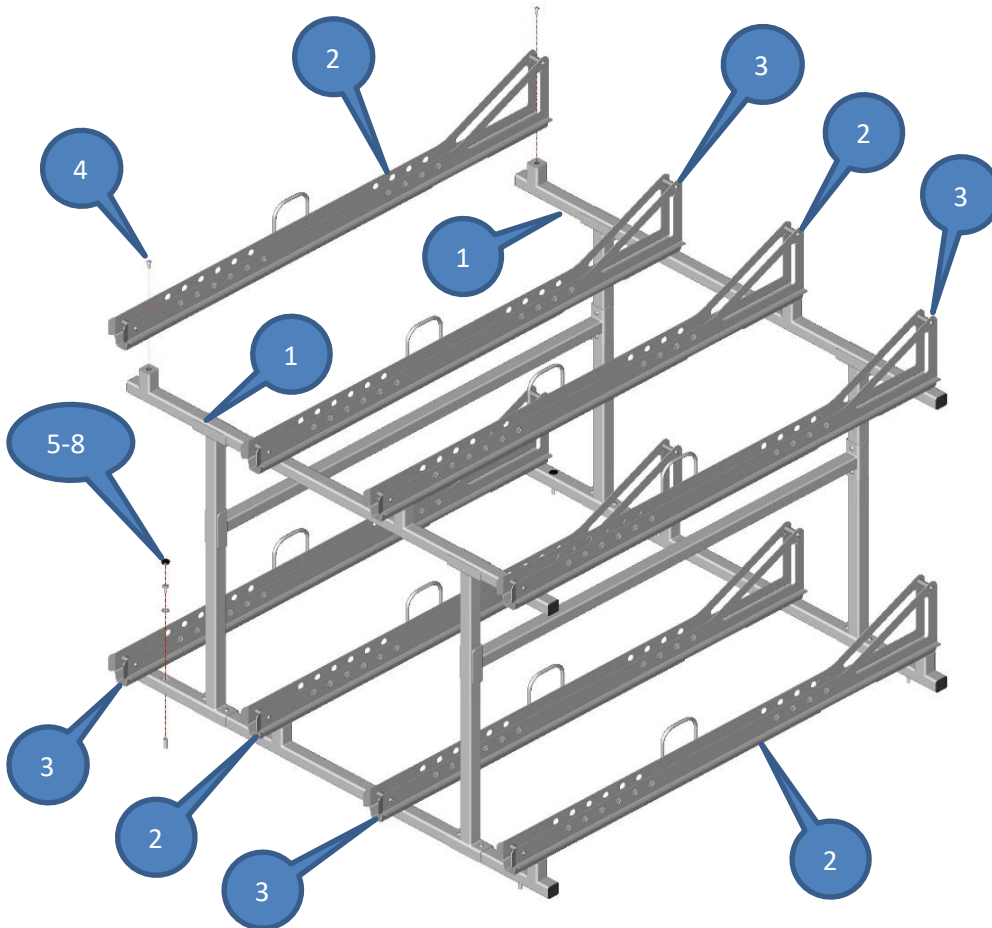
**ALWAYS OBSERVE POSTED SAFETY GUIDELINES
WHEN ASSEMBLING THIS PRODUCT. ALWAYS WEAR SAFETY GLASSES**

RACK ASSEMBLY



Item	Qty	Description	Part Number
1	1	MAIN FRAME ASSEMBLY	
2	4	UPPER WHEEL GUIDE ASSEMBLY	18304
3	4	LOWER WHEEL GUIDE ASSEMBLY	18305
4	16	3/8-16NC Xx 1" LG. TORX BHCS	12724
5	4	3/8-16NC LAG HOUSING	17015
6	4	3/8" WIDE FLAT WASHER	17016
7	4	3/8-16NC x 1-1/4" LG. TORX PH	17590
8	4	1" DIA. BLACK HOLE PLUG	18314

10. Align Upper Guide Assembly with NutSerts in frame with 3" offsets & insert (2) 3/8-16NC {Torx} BHCS x 1" Lg. (12724) and tighten, next align Lower Guide Assembly with NutSerts in runner & insert (2) 3/8-16NC {Torx} BHCS x 1" Lg. (12724) and tighten, then repeat for the remaining (6) Guide Rails alternating as shown till completion.



**ALWAYS OBSERVE POSTED SAFETY GUIDELINES
WHEN ASSEMBLING THIS PRODUCT. ALWAYS WEAR SAFETY GLASSES**